

## PLEXIM GMBH

### Plexim – Innovative design tools for power electronics

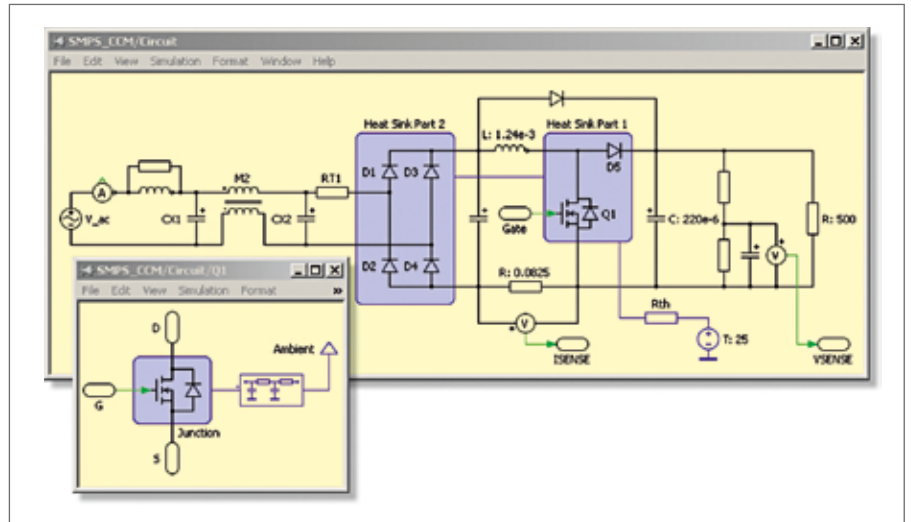
Plexim is a global leader in simulation software for power electronic systems. Our software enables industry customers to innovate their products at a faster pace by reducing development cost and time.

Our leadership is based on latest software technologies and simulation algorithms combined with innovative modeling concepts. By carefully listening to engineering experts, we offer our customers pioneering solutions for their needs of today and tomorrow.

Since 2002 our software has become the industry standard for power electronics simulation across various industries. Typical application areas are renewable energy, automotive, aerospace, industrial and traction drives, and power supplies. Our customers include market leaders such as ABB, Bombardier, Bosch, Danfoss, GE, Philips, Siemens, SMA and Vestas. With own offices in Zurich and Boston, and with the support of our local representatives worldwide, we are always close to our customers.

### Simulation software PLECS

Our circuit simulator PLECS makes it simple to model and simulate complex electrical systems along with analog and digital control. Supporting a top-down approach, it lets the designer start with ideal component models in order to focus on the



system behavior. Low-level device details can be added later to account for parasitic effects.

With the intuitive, easy-to-use schematic editor, new models are set up quickly. Thanks to a proprietary handling of switching events, simulations of power electronic circuits are fast and robust. From simple power electronic converters to a complex electrical drives, PLECS will help design engineers to quickly obtain the simulation results they need.

PLECS is available in two different editions: A blockset for MATLAB®/Simulink® and an independent standalone solution. The PLECS Blockset is seamlessly integrated with Simulink. This allows to access the functionality of Simulink and extend the scope of system-oriented simulations. The PLECS Standalone edition is a simula-

tion platform on its own. It provides optimized solvers to speed up the simulation of electrical circuits and control systems. PLECS Standalone is a cost-effective yet powerful alternative for dynamic system simulation in general.

